



glazesafe^{Ltd}

Innovation in safety

A decorative horizontal bar at the bottom of the page, identical in design to the top bar, consisting of five segments in shades of blue and dark blue.

STRONG HOLD®

Manufactured in



Great Britain



When and why?



- **The Stronghold was designed in 2009 and launched in April 2013**
- **It was designed after I received a number of requests from large construction and glazing companies**
 - **The companies needed to reduce their enormous scaffold bills and ‘Work at Height’**
- **The Stronghold was designed to offer a simple solution to their problems**



Hertfordshire man prosecuted following the death of a construction worker who fell four stories while replacing windows he work was being done between the 3rd and 4th floor of a residential apartment block in London NW6. The glass was very heavy and as the men lifted it into place they and the glass all fell 11m to the ground. One man later died in hospital.

OCTOBER 2005

Window fitter dies after fall

A WINDOW fitter plunged 70ft to his death from a top-floor flat as his brother watched helplessly.

The man, in his 30s, was sitting on the window ledge in Inverleith Row when he lost his balance and fell to the ground.

MARCH 2013

Construction worker dies in lift shaft fall

A construction worker died after falling 100ft through a board that was covering the lift shaft he was working on.

2006



What is the
Stronghold?



The brand new Stronghold is a light weight, fast erect fall restraint and barrier system which is setup inside the building, around an opening to be worked on.

The fully adjustable Stronghold provides an instant highly visible barrier around the window or other type of opening at height, preventing the public or other trades people from getting close enough to the opening to fall.

The Stronghold can support two fitters in a fall restraint manor via harnesses and lines, protecting them from a fall.

The Stronghold also has an extra set of anchor plates that are used to anchor a window frame or other object, via load straps whilst the frame or object is lifted into position and secured.



Window repairs/maintenance/replacement

Satellite dish maintenance and installation

Window cleaning

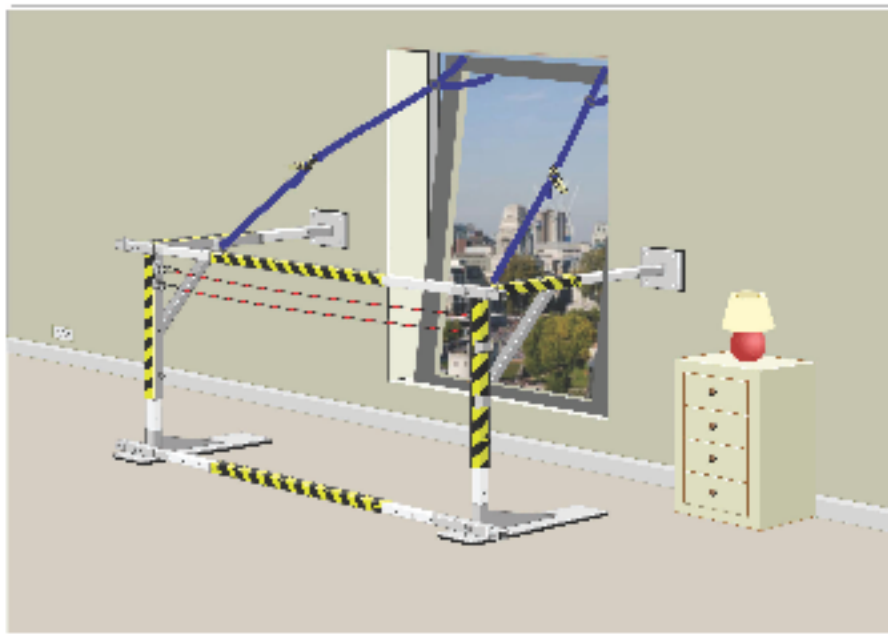
Air conditioning unit maintenance

Lift repair and modernisation

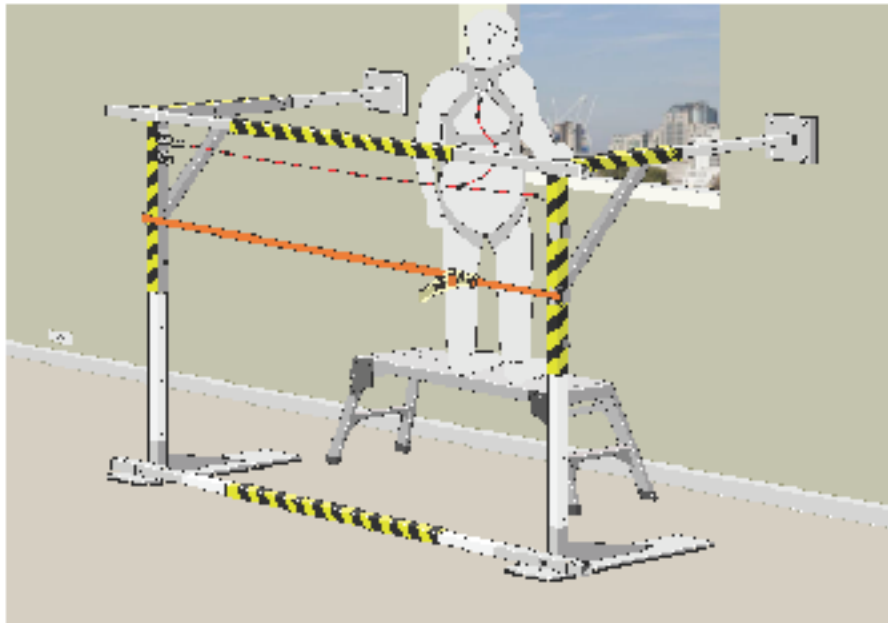
External surveyance of a high rise building



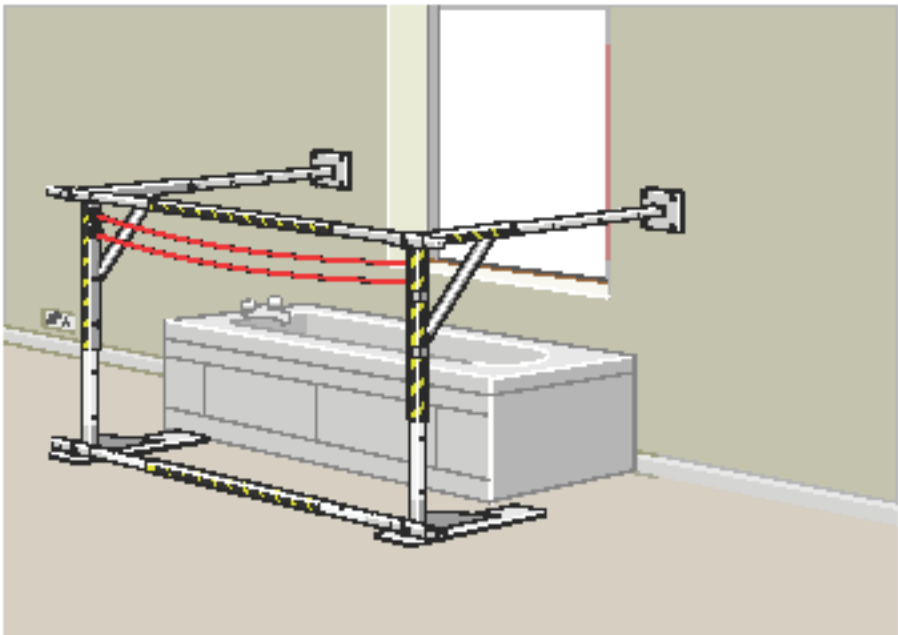
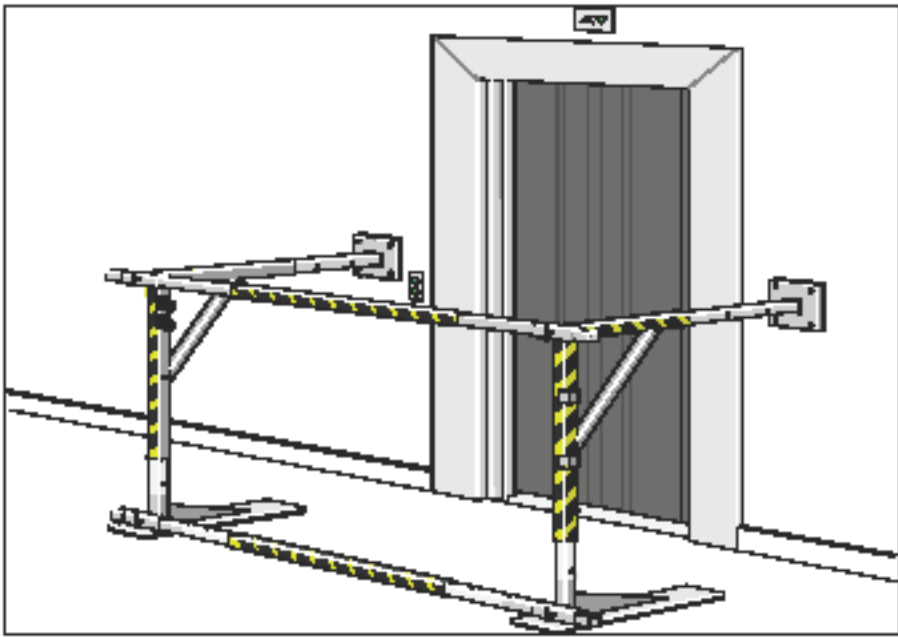
Load Straps
secure an
object



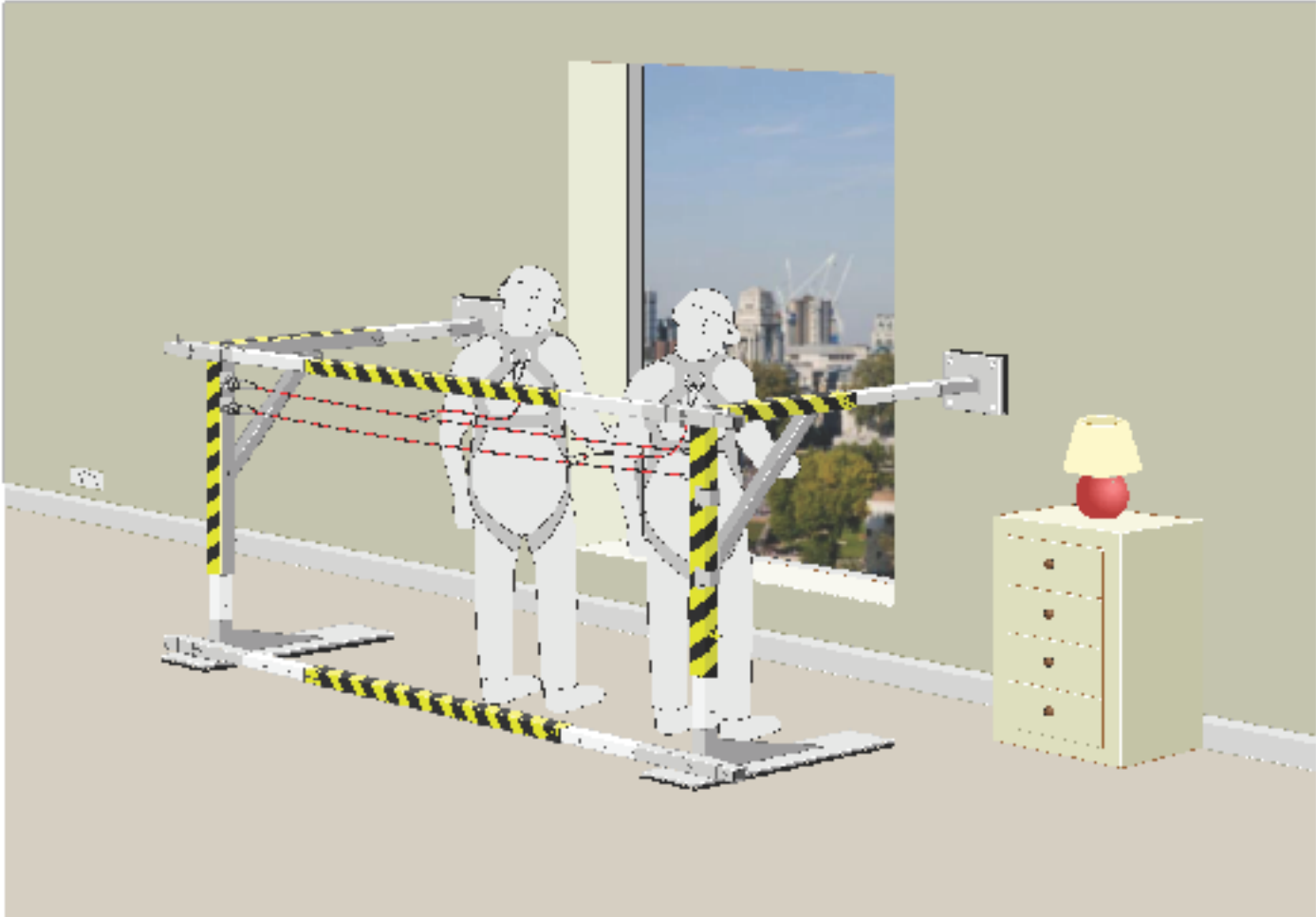
Over obstacles
or up a step



Lift Shaft



Over obstacles
such as baths
or worktops



Benefits



Health and Safety

- No more 'Work at Height'!
- No more 'Falls from Height'!
- No more dropped tools or equipment !



Economical

- No more expensive and disruptive scaffold!
- Allows a company to provide more competitive quotes and win more business
 - Reduce job completion times
 - Reduce sick days and injury claims
- Reduce transport costs and setup times for 'in house' tower scaffold



Specifications



- **Conforms to BS EN 795 B: 2012**
 - **TS 16415: 2013**
- **ANSI Z359.1: 2007. AS/NZS 5532: 2013**
 - **Proudly made in Great Britain**
 - **Total set weighs just over 25Kg**
 - **Tested to carry 1.9T**
 - **Minimal maintenance**
 - **Easily stored and transported**



Contact us

To place an order and for any other information contact us..

Telephone. 01992 302 133

Email. info@glazesafe.com sales@glazesafe.com

Web. www.glazesafe.com

Post. 1 Turnford Villas, Highroad, Turnford, Hertfordshire. EN10 6BE

'Stronghold' is a registered Trade Mark and is Protected by Patent here in GB and throughout other territories.

